

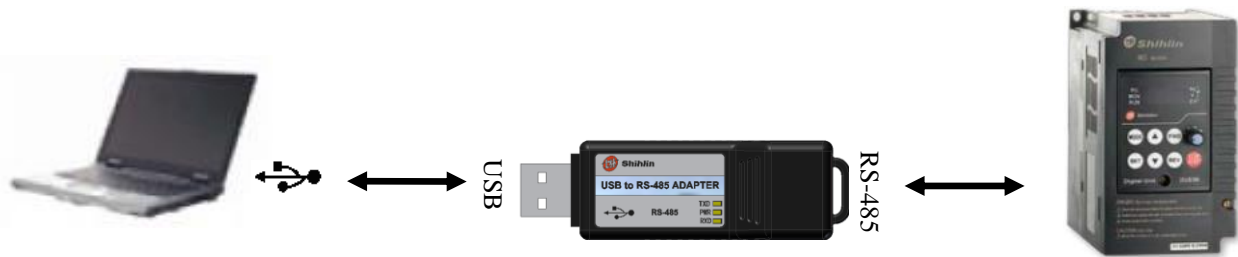
USB to RS-485 ADAPTER 说明书

① 引言

USB to RS-485 ADAPTER 转换装置，不需外接电源，不需任何设定，即可支援不同的传输速率从 75 到 115200bps，并可自动切换资料流方向。通过 USB 接口有随插即用和热插拔的方便性，提供和 RS-485 装置的沟通界面，体积小且方便使用，RS-485 采用 RJ-45 网路线接口，使用者能更便利的接线。

② 适用機種：士林电机全系列变频器

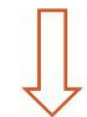
③ 应用



④ 规格

电源需求	无需外接电源
消耗功率	0.4W
隔离电压	3000VDC
传输速度	支持 75,150,300,600,1200,2400,4800,9600,19200,38400,57600,115200bps
RS-485 外接端子型式	RJ-45
USB 接头	A type (plug)
兼容性	符合 USBV2.0 规格
最大使用线长	100m (“USB to RS-485 ADAPTER” 至变频器)
支持 RS-485 半双工通讯	

⑤ RJ45



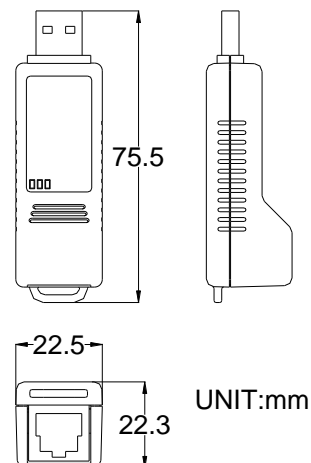
8 ← 1



RJ-45

PIN	Description
1	NA
2	NA
3	NA
4	DB-
5	DA+
6	NA
7	NA
8	GND

⑥ 尺寸



⑦ LED 灯显示

- 1、橘黄色 LED 灯亮起表示有电源
- 2、两个绿色的 LED 灯“闪烁”，表示有信号传输

⑧ 安装驱动程序

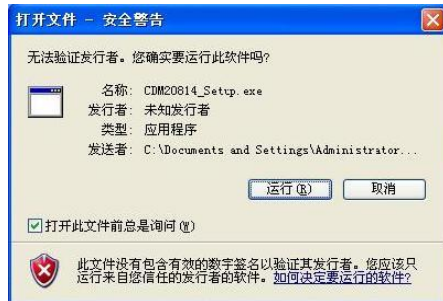
请将 USB01 连接至电脑 USB 埠，完成后，请按照以下步骤安装：

Step 1: 通讯板的驱动:

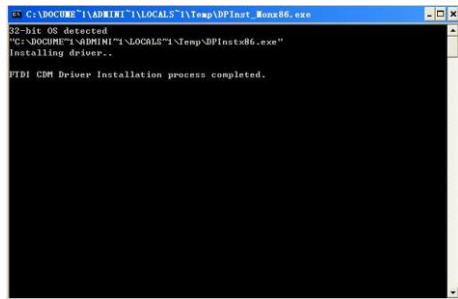


双击打开该驱动程序 (此驱动程式请至我司官网 <http://www.ssec.com.cn> 上下载);

Step 2: 选择运行;



Step 3: 安装过程，直到出现 FTDI CDM Driver Installation process completed, 此过程的时间长短视计算机的处理能力而定;



Step 4: 驱动安装完成后，电脑插上 USB01 后，在右下角会出现小气泡提示，依次为:



此后就可以正常使用。

USB to RS-485 ADAPTER Communication Instruction

① Preface

USB to RS-485 ADAPTER is a convenient RS485-to-USB converter, which does not require external power-supply and complex setting process. It supports baud rate from 75 to 115200bps and auto switching direction of data transmission. In addition, it adopts RJ-45 in RS-485 connector for users to wire conveniently. And its tiny dimension, handy use of plug-and-play and hot-swap provide more convenience for connecting all Shihlin products to your PC.

② Applicable Models: All Shihlin inverter products

③ Application



④ Specification

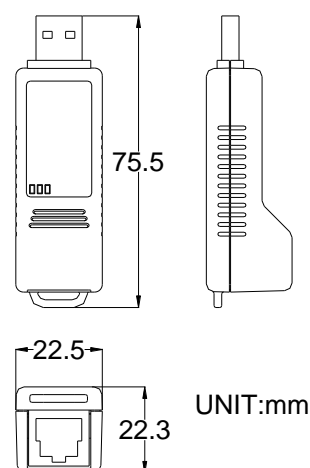
Power Supply	No external power is needed
Power Consumption	0.4W
Isolate Voltage	3000VDC
Baud Rate	Support 75,150,300,600,1200,2400,4800,9600,19200,38400,57600,115200bps
RS-485 Connector	RJ-45
USB Connector	A type (plug)
Compatibility	Full compliance with USBV2.0 specification
Max. Cable Length	100m (between “USB to RS-485 ADAPTER” and inverter)
Support RS-485 Half-Duplex Transmission	

⑤ RJ45



PIN	Description
1	NA
2	NA
3	NA
4	DB-
5	DA+
6	NA
7	NA
8	GND

⑥ Dimension




⑦ LED Display

- 1、Steady Orange LED ON: power is ON.
- 2、Two blinking green LED: data is transmitting.

⑧ Driver Installation

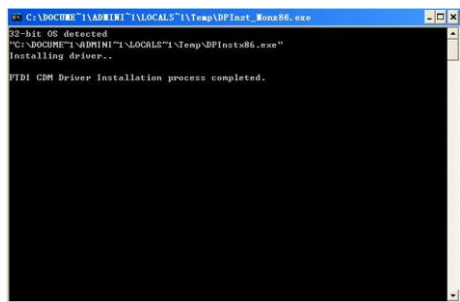
After connecting USB01 to PC, please install driver by following steps:

Step 1:  Double click and open the driver of the communication board which you can download from <http://www.sseec.com.cn>.

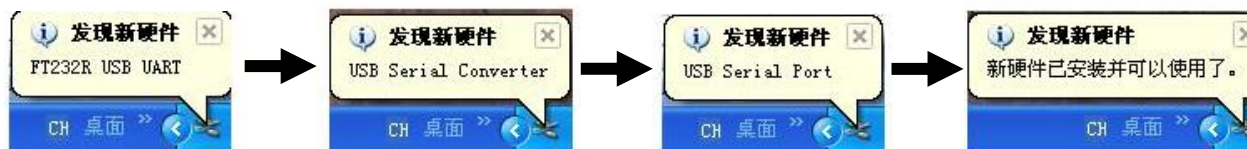
Step 2: Select “Running”;



Step 3: The installation is not finished until “FTDI CDM Driver Installation process completed” appears on the PC. The time of the installation depends on the handling ability of PC.



Step 4: After the driver is installed and the USB01 is connected to PC, some bubbles will appear in the bottom right corner, which are as follows:



Then it can be used normally.

Others

To improve our products, the parameters and contents may be modified, please contact the agent or refer to Shihlin websites(<http://automation.seec.com.tw/>) to download the latest version

